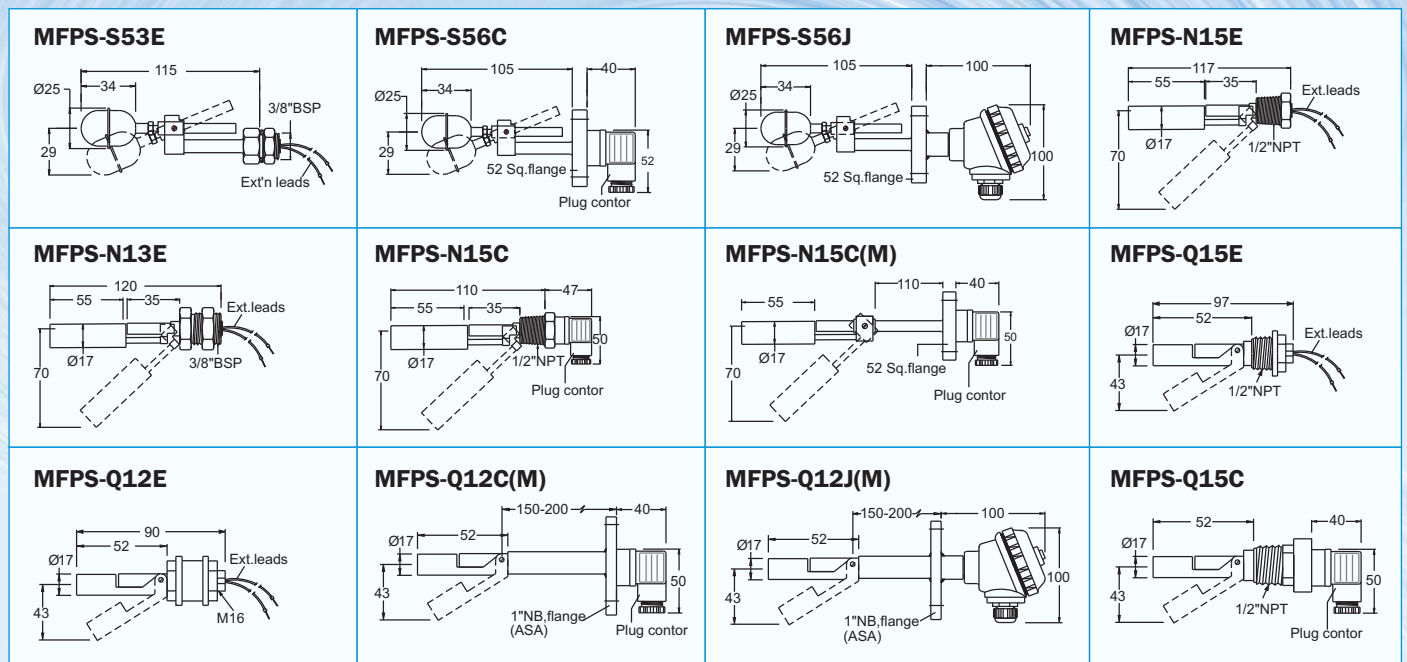


Float Operated Mini Level Switches - MFPS



Pune Techtrol Pvt Ltd
Innovating Level Controls Since 1984



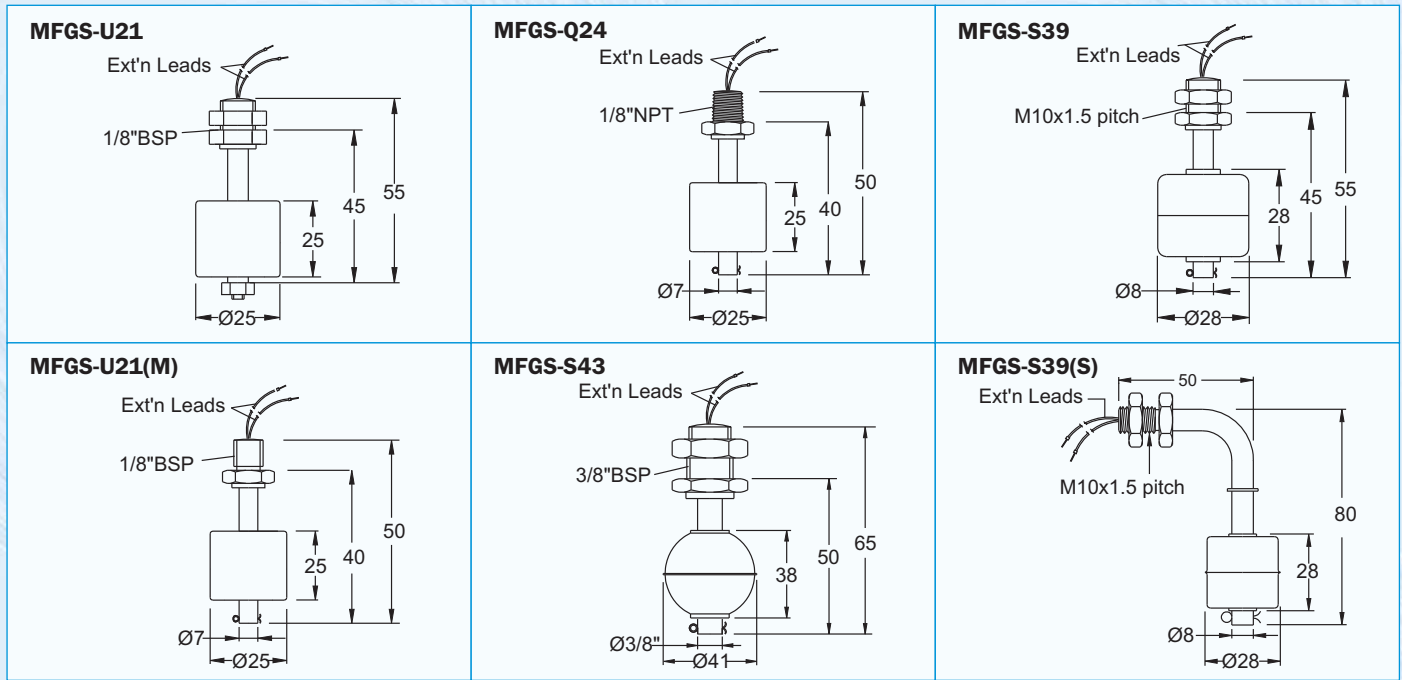
Dimensions are in mm

Description \ Model	MFPS-S53E	MFPS-S56C	MFPS-S56J	MFPS-N15E	MFPS-N13E	MFPS-N15C
MOC	SS316	SS316	SS316	SS304	SS304	SS304
Float Size	Ø25x34mm	Ø25x34mm	Ø25x34mm	Ø17x55mm	Ø17x55mm	Ø17x55mm
Process Connection	3/8"BSP	SQ.52 Flange	SQ.52 Flange	1/2"NPT	3/8"BSP	1/2"NPT
Extension	57mm	57mm	57mm	NA	NA	NA
Switch Capacity	10VA	10VA	10VA	10VA	10VA	10VA
Max.Switching Voltage	230VAC/DC	230VAC/DC	230VAC/DC	140VAC/200DC	140VAC/200DC	140VAC/200DC
Max.Switching Current	0.5A	0.5A	0.5A	0.5A	0.5A	0.5A
Differential	3-5mm	3-5mm	3-5mm	3-5mm	3-5mm	3-5mm
Termination	PVC Leads	Plug-in conn	WP IP66	PVC Leads	PVC Leads	Plug-in conn
Switch Action	Reversible	Non-reversible	Non-reversible	Reversible	Reversible	Non-reversible
Max.Test Pressure	5Kg/cm2	5Kg/cm2	5Kg/cm2	5Kg/cm2	5Kg/cm2	5Kg/cm2
Max.Temperature	100°C	100°C	100°C	100°C	100°C	100°C
Mini.Liquid Sp.Gr.	0.8	0.8	0.8	0.7	0.7	0.7

Description \ Model	MFPS-N15C(M)	MFPS-Q15E	MFPS-Q12E	MFPS-Q12C(M)	MFPS-Q12J(M)	MFPS-Q15C
MOC	SS304	PP (Hollow)	PP (Hollow)	PP (Hollow)	PP (Hollow)	PP (Hollow)
Float Size	Ø17x55mm	Ø17.5x52mm	Ø17.5x52mm	Ø17.5x52mm	Ø17.5x52mm	Ø17.5x52mm
Process Connection	SQ.52 Flange	1/2"NPT	M16	1"NB ASA, flange	1"NB ASA, flange	1/2"NPT
Extension	110mm	NA	NA	*150 to 200mm	*150 to 200mm	NA
Switch Capacity	10VA	10VA	10VA	10VA	10VA	10VA
Max.Switching Voltage	140VAC/200DC	230VAC/DC	230VAC/DC	230VAC/DC	230VAC/DC	230VAC/DC
Max.Switching Current	0.5A	0.5A	0.5A	0.5A	0.5A	0.5A
Differential	3-5mm	3-5mm	3-5mm	3-5mm	3-5mm	3-5mm
Termination	Plug-in conn	PVC Leads	PVC Leads	Plug-in conn	WP IP66	Plug-in conn
Switch Action	Non-reversible	Reversible	Reversible	Non-reversible	Non-reversible	Non-reversible
Max.Test Pressure	5Kg/cm2	1Kg/cm2	1Kg/cm2	1Kg/cm2	1Kg/cm2	1Kg/cm2
Max.Temperature	100°C	70°C	70°C	70°C	70°C	70°C
Mini.Liquid Sp.Gr.	0.7	0.7	0.7	0.7	0.7	0.7

* Specify

Float Operated Mini Level Switches - MFGS



Dimensions are in mm

Description \ Model	MFGS-U21	MFGS-Q24	MFGS-S39
Float MOC	PU (Solid)	PP (Hollow)	SS316
Float Size	Ø25x25mm	Ø25x25mm	Ø28x28mm
Guide tube MOC	PP	Brass	SS316
Process Connection	1/8" BSP	1/8" NPT	M10
Switch Capacity	10VA	10VA	10VA
Max.Switching Voltage	230VAC/DC	230VAC/DC	230VAC/DC
Max.Switching Current	0.5A	0.5A	0.5A
Differential	3-5mm	3-5mm	3-5mm
Termination	PVC Leads	PVC Leads	PTFE Leads
Switch Action	Reversible	Reversible	Reversible
Max.Test Pressure	1Kg/cm ²	1Kg/cm ²	5Kg/cm ²
Max.Temperature	70 °C	70 °C	100 °C
Mini.Liquid Sp.Gr.	0.75	0.8	0.8

Description \ Model	MFGS-U21(M)	MFGS-S43	MFGS-S39(S)
Float MOC	PU (Solid)	SS316	SS316
Float Size	Ø25x25mm	Ø41x38mm	Ø28x28mm
Guide tube MOC	Brass	SS316	SS316
Process Connection	1/8" BSP	3/8" BSP	M10
Switch Capacity	10VA	10VA	10VA
Max.Switching Voltage	230VAC/DC	230VAC/DC	140VAC/200DC
Max.Switching Current	0.5A	0.5A	0.5A
Differential	3-5mm	3-5mm	3-5mm
Termination	PVC Leads	PTFE Leads	PVC Leads
Switch Action	Reversible	Reversible	Reversible
Max.Test Pressure	1Kg/cm ²	5Kg/cm ²	5Kg/cm ²
Max.Temperature	70 °C	100 °C	100 °C
Mini.Liquid Sp.Gr.	0.75	0.8	0.8

Pune Techtrol Pvt Ltd

Regd. Off. : S-18, MIDC, Bhosari, Pune - 411026. India 
Works : J-52/7, MIDC, Bhosari, Pune - 411026. India
Tel. : +91-20-66342900, 27121052
Fax : +91-20-66342998
E-mail : ho@punetechtrol.com
Web : www.punetechtrol.com



R A T E D
 NSIC-CRISIL SE1A

Area Representative / Distributor :

Custom built specs./options available on demand.

We reserve the right to modify design and specifications without prior notice.

CAT/0012/Rev-07/01-14

inspiregraphic@gmail.com | 9763672223